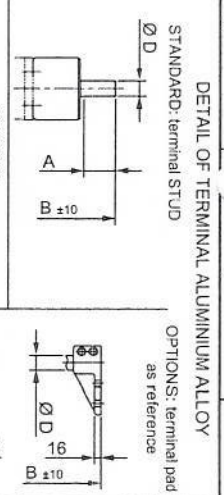
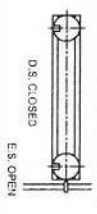


LOWER BASE FIXING DETAIL
THICKNESS 6mm



- PRINCIPLE DIAGRAM OF MECHANICAL INTERLOCKING DEVICE
- DISCONNECTOR IN OPEN POSITION
 - EARTHING SWITCH IN CLOSED POSITION
 - DISCONNECTOR IN CLOSED POSITION
 - EARTHING SWITCH IN OPEN POSITION



ITEM	DESCRIPTION	Q.TY
1	Live part (female arm)	3
2	Live part (male arm)	3
3	Lower part assembly	3
4	Support Insulator	6
5	Earthing Switch Blade	3
6	Earthing Switch Fixed Contact	3
7		
9	Vertical transmissions	2
9	Horizontal transmissions	2
10	Operating mech. for DSC	1
11	Operating mech. for E.S. right	1

DETAIL OF TERMINAL ALUMINIUM ALLOY

STANDARD: terminal STUD

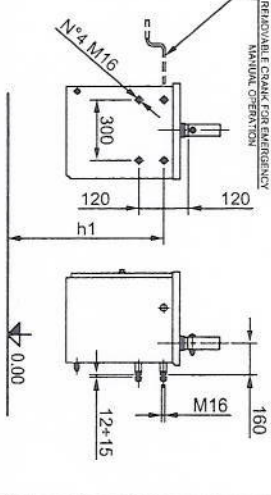
OPTION: terminal pad as reference

DIMENSION		Ø D	A	B
Rated Current IEC [A]		[mm]	[mm]	[mm]
1250		40	80	1650
up to 40kA _{1s} & 31,5kA _{3s}				
2000		50	120	1705
up to 50kA _{3s}				
2500		60	120	1775
up to 50kA _{3s}				

MOTOR OPERATING MECHANISM DETAIL

SERIES CMM.....

REMOVABLE COILS FOR EMERGENCY MANUAL OPERATION



MANUAL OPERATING MECHANISM DETAIL
SERIES CML

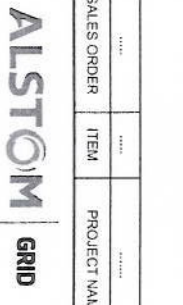
PERMISSIBLE COMBINED LOAD APPLIED ON THE TERMINAL

	Fg [N] (vertical load)	Fh [N] (cross-load)	Fc [N] (vertical force)
Static	500	170	1000
Dynamic	750	295	1500

INSULATOR SPECIFICATIONS

Cartridge	C...
Lightning impulse withstand voltage	BIL-550
Creepage distance [mm]
Insulator composition / Colour	Porcelain / Brown
Insulator Height [mm]	1220

INSULATOR FIXING DETAIL



ALSTOM GRID S.p.A. - Novara di Piave (VE) - Italy

SALES ORDER

ITEM	PROJECT NAME	Q.TY	X	H	h1	SERIAL NUMBER	WIRING DIAGRAM
.....	32000	900

TITLE: CENTRAL BREAK TYPE
THREEPOLE DSC. S2DAT 123KV

GENERAL ALLOWANCES ACCORDING TO OUR STANDARD R15/92

1250/2000/2500A

SCALE: 1:40

DRAWN BY: SURNAME

CHECKED BY: SURNAME

DATE: DD/MY/YY

DATE: DD/MY/YY

REVISION

REV.	NUMBER	DATE	NAME
A	ISSUE	/	/

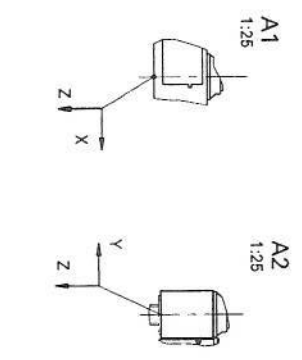
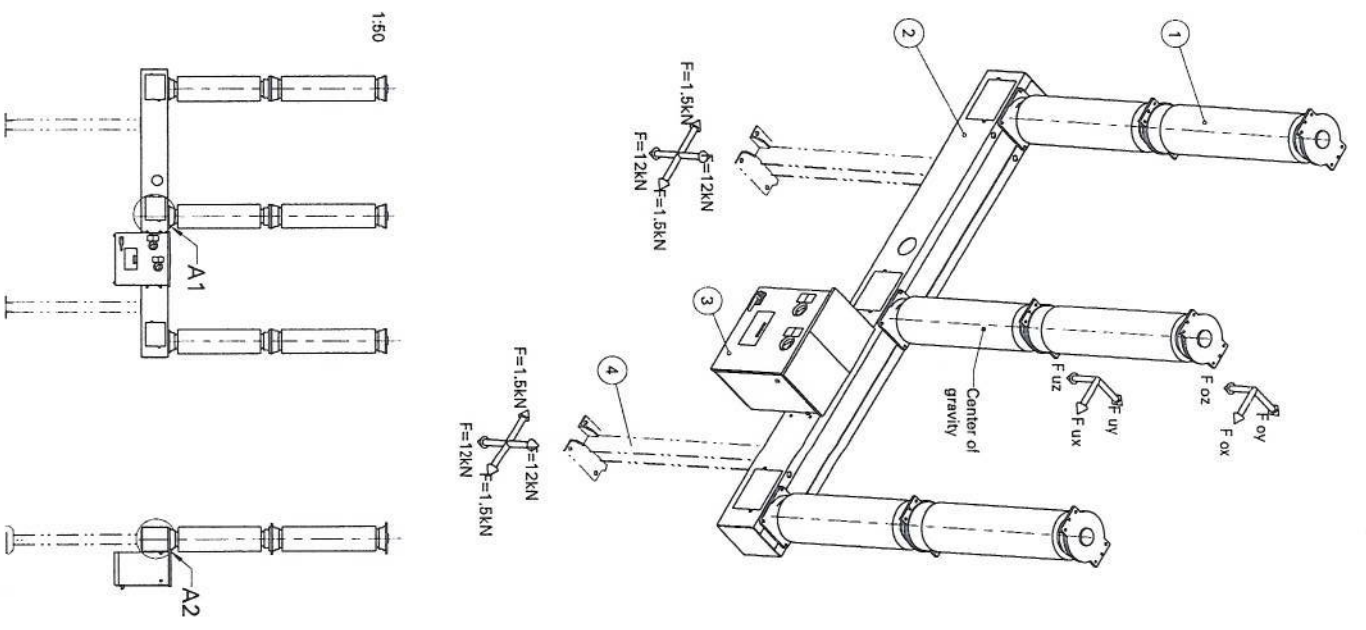
FORMANT: A3

DWG No. STD-0005-T

DATE: 1/1

REVISION: 00

1:25



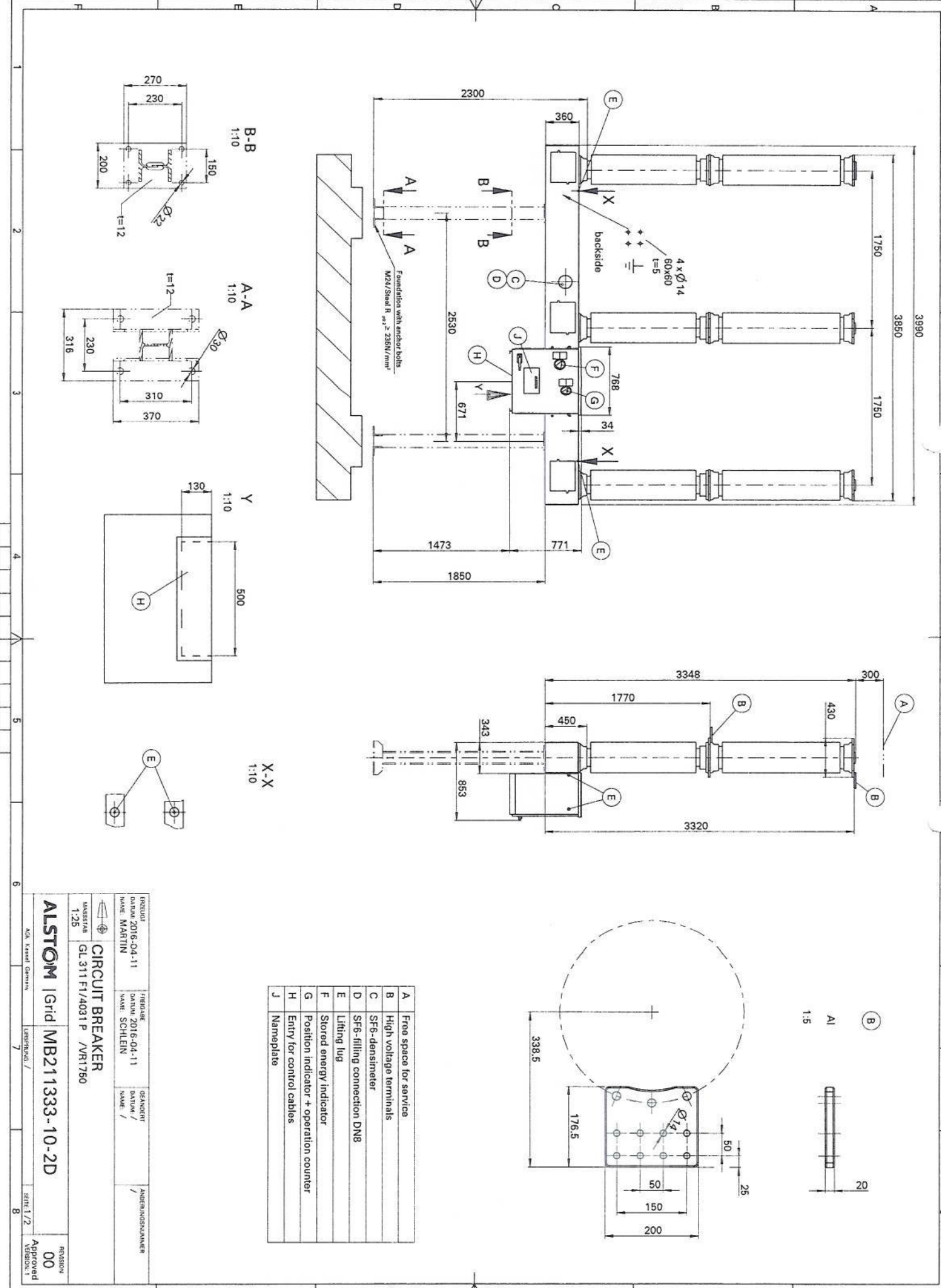
Center of gravity (without supports) in mm		Center of area (without supports) in mm	
	Z/X-view	Z/Y-view	Z/Y-view
X	58	162	...
Y	-45	...	-40
Z	-1310	-1090	-1500
area m ²		1.1	

Pos. 1	pole column	Pos. 2	base frame	Pos. 3	mechanism	Sf6-gas	total weight	weight in kg	
								Pos. 4	supports
3x275		165		120		8.3	1118.3	---	---

Permissible terminal forces	static *)		static + dynamic	
	[F _{ox}] [F _{ux}]	max. 750N	max. 3000N	max. 3000N
	[F _{oy}] [F _{uy}]	max. 1250N	max. 5000N	max. 5000N
	[F _{oz}] [F _{uz}]	max. 1000N	max. 3000N	max. 3000N
	$\sqrt{(2.1 \times F_y + F_{uy})^2 + (2.1 \times F_x + F_{ux})^2}$	max. 3000N	max. 5800N	

*) recommended values according IEC 62155

ALSTOM Grid MB211333-10-2D	REVISION Approved Version: 1 00
ERZEUGER DATUM: 2016-04-11 NAME: MARTIN	ERKÄUFER DATUM: / NAME: /
FREQUENZ DATUM: 2016-04-11 NAME: SCHLEIN	ANZEICHENNUMMERN /
MASSTAB 1:25 CIRCUIT BREAKER GL 311 FT/4031 P /VRT1750	
ADL: Kessel Dresden URSPRUNG: / 7	SEITE 2/2 Approved Version: 1



A	Free space for service
B	High voltage terminals
C	SF6-densimeter
D	SF6-filling connection DN8
E	Lifting lug
F	Stored energy indicator
G	Position indicator + operation counter
H	Entry for control cables
J	Nameplate

ALSTOM | Grid | MB211333-10-2D

ERZEUGER DATEI: 2016-04-11 NAME: MARTIN	FREIGABE DATEI: 2016-04-11 NAME: SCHLEIN	GEANDERT DATEI: / NAME: /	ANBERUHRUNGSNUMMER /
MASSSTAB: 1:25 CIRCUIT BREAKER GL 311 FT/4031 P /VR1750			
ALSTOM Grid MB211333-10-2D			STATUS: Approved VERSION: 1 00

NGA, Kassel, Germany
 UMR/PA/DA/ /
 SEITE 1/2